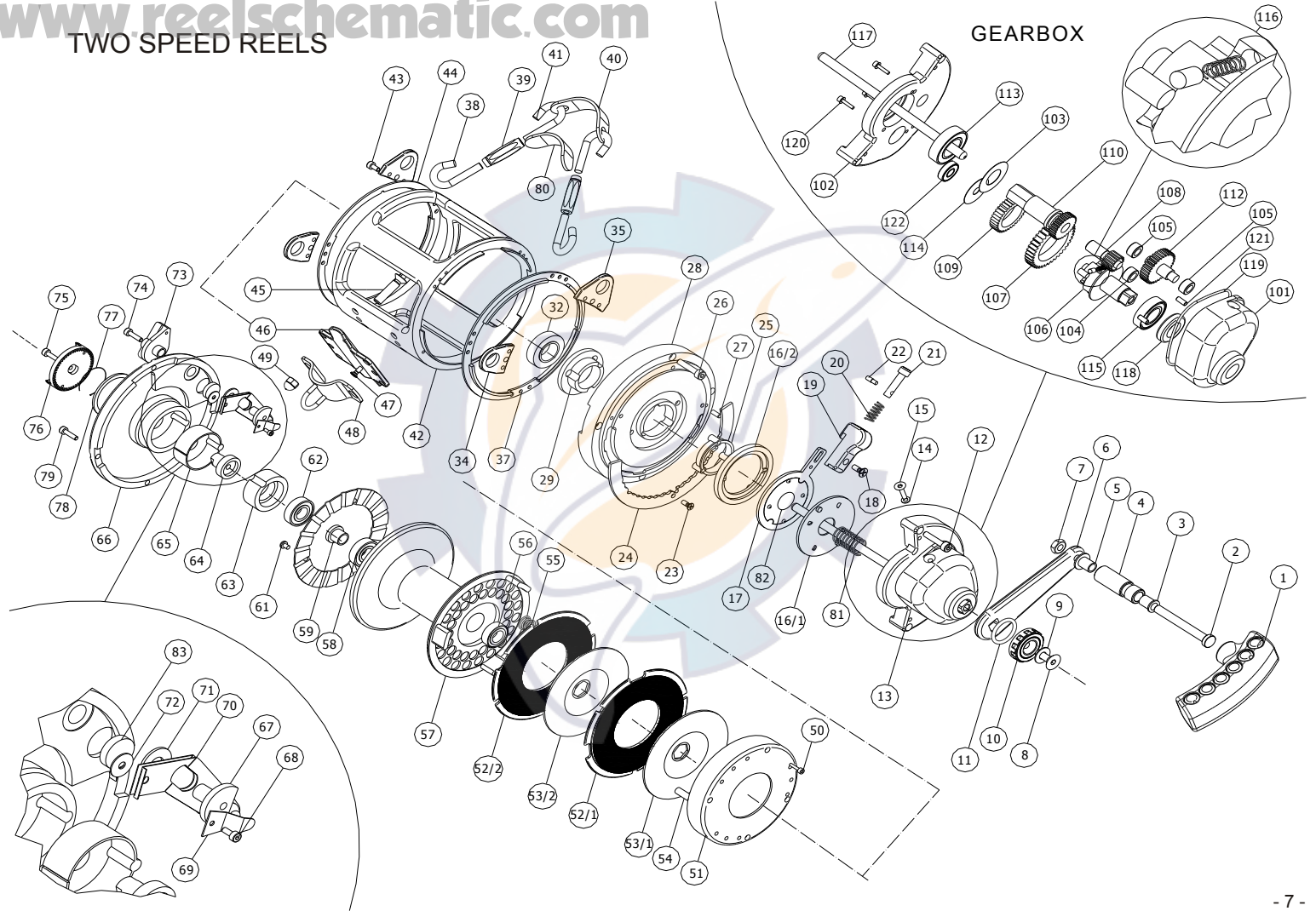


TWO SPEED REELS

GEARBOX



TWO SPEED REELS: 2,5/0 - 4/0 - 6/0 - 9/0 - 12/0 - 4/0 WS - 6/0 WS - 9/0 WS - 12/0 WS PARTS LIST

KEY N°.DESCRIPTIONQUANT.MOD.

1.....	HANDLE GRIP	1	ALL
2.....	HANDLE PIN	1	ALL
3.....	WASHER	1	ALL
4.....	HANDLE BUSH	1	ALL
5.....	PLASTIC WASHER	1	ALL
6.....	HANDLE LEVER	1	ALL
7.....	S STEEL NUT	1	ALL
8.....	HANDLE SCREW	1	ALL
9.....	WASHER	1	ALL
10.....	HANDLE NUT	1	ALL
11.....	HANDLE O-RING	1	ALL
12.....	GEARBOX SCREW	2	ALL
13.....	GEARBOX	1	ALL
14.....	PACKING	1	ALL
15.....	OIL PLUG	1	ALL
16/1.....	WASHER 1	1	ALL
16/2.....	WASHER 2	1	ALL
17.....	CLUTCH LEVER	1	ALL
18.....	STOP PIN SCREW	1	ALL
19.....	LEVER GRIP	1	ALL
20.....	STOP PIN SPRING	1	ALL
21.....	STOP PIN	1	ALL
22.....	STOP PIN TAP	1	ALL
23.....	DIAL SCREW	1	ALL
24.....	DRAG DIAL	1	ALL
25.....	DELRING RING	1	ALL
26.....	RIGHT PLATE SCREW	4	ALL
27.....	GEARBOX PIN	2	ALL
28.....	RIGHT PLATE	1	ALL
29.....	THRUST BEAR B	1	ALL
32.....	THRUST BEAR	1	ALL
34.....	BOTTOM LUG	2	6/0
		4	9/0 12/0

KEY N°.DESCRIPTIONQUANT.MOD.

35.....	TOP LUG	2	ALL
37.....	RIGHT PLATE RING	1	ALL
38.....	R. B. SCREWA	2	6/0
		4	9/0 12/0
39.....	R. B. NUT	2	6/0
		4	9/0 12/0
40.....	R. B. PLATE	1	6/0
		2	9/0 12/0
41.....	R. B. SCREW B	2	6/0
		4	9/0 12/0
42.....	TUB. FRAME	1	ALL
43.....	LUG SCREW	4	2,5/0 4/0
		8	6/0
		12	9/0 12/0
44.....	LEFT PLATE RING	1	ALL
45.....	CLAMP SCREW	2	ALL
46.....	STAND	1	ALL
47.....	STAND SCREW	4	ALL
48.....	CLAMP	1	ALL
49.....	CLAMP NUT	2	ALL
50.....	CROW SCREW	3	ALL
51.....	DRAG COVER	1	ALL
52/1.....	C.F. RING 1	1	ALL
52/2.....	C.F. RING 2	1	ALL
53/1.....	DRAG PLATE 1	1	ALL
53/2.....	DRAG PLATE 2	1	ALL
54.....	DRAG PIN	3	ALL
55.....	DRAG SPRING	9	2,5/0
		12	4/0
		18	6/0
		16	9/0
		27	12/0
56.....	BALL BEARING	1	ALL
57.....	SPOOL	1	ALL

KEY N°.DESCRIPTIONQUANT.MOD.

58.....	BALL BEARING B	1	ALL
59.....	B.B. SPACER	1	ALL
60.....	CLICK DISK	1	ALL
61.....	DISK SCREW	3	ALL
62.....	BALL BEARING C	1	ALL
63.....	B.B. BOX	1	ALL
64.....	PRESET PIN	1	ALL
65.....	B.B. BOX SEAT	1	ALL
66.....	LEFT PLATE	1	ALL
67.....	CLICK PIN	1	ALL
68.....	CLICK SCREW	1	ALL
69.....	CLICK SPRING	1	ALL
70.....	CLICK BLADE	1	ALL
71.....	CLICK WASHER	1	ALL
72.....	TEFLON WASHER	1	ALL
73.....	CLICK KNOB	1	ALL
74.....	KNOB SCREW	1	ALL
75.....	PRESET SCREW	1	ALL
76.....	PRESET KNOB	1	ALL
77.....	PRESET KNOB SPRING	1	9/0 12/0
78.....	PRESET KNOB WASHER	1	ALL
79.....	LEFT PLATE SCREW	4	ALL
80.....	B. PLATE PACKING	1	6/0
		2	9/0 12/0
81.....	SHAFT SPRING	1	ALL
82.....	DRAG FEED	1	ALL
83.....	CLICK RUBBER	1	ALL

GEARBOX

KEY N°.DESCRIPTIONQUANT. MOD.

101.....	GEARBOX	1	ALL
102.....	PLATE GEARBOX	1	ALL
103.....	RING	1	9/0 12/0
104.....	BRONZE BEARING	1	9/0 12/0
105.....	BRONZE BEARING	2	ALL
106.....	HANDLE SHAFT	1	ALL
107.....	GEAR "A"	1	ALL
108.....	GEAR "B"	1	ALL
109.....	GEAR "C"	1	ALL
110.....	GEAR "D"	1	ALL
112.....	GEAR "S"	1	ALL
113.....	PACKING	1	9/0 12/0
	BEARING	1	4/0 6/0 2,5/0
114.....	WASHER	1	ALL
115.....	BEARING	1	ALL
116.....	SPRING AND ROLLS	6	ALL
117.....	SHAFT	1	ALL
118.....	PACKING	1	ALL
119.....	O.R.	1	ALL
120.....	SCREW WITH WASH	3	ALL
121.....	PIN	2	ALL
122.....	BEARING	1	ALL